

Product Information

Hygienic designed

Capacitive Level Switch MLC420/421/422



- 2-port isolation
- Microprocessor controlled measurement
- Parametrization via GHMware and adapter EYY120
- No moving parts in the medium
- Switching function depends to the polarity of the supply voltage
- Condensate-stability type

Technical data

Power supply

Supply voltage : 18..30 V DC, max. 50 mA
 Electrical connection : M12x1 plug
 CE-conformity : EN 61326:2007-05

Ambient conditions

Ambient temperature : -20..+80 °C
 Climatic class : EN 60068-2-38:2010-06
 Vibration class : EN 60068-2-6, GL test2

Certifications

EHEDG certificate no. : 28/2011

Sensor

Radiated frequency : 40.68 MHz, <1 mW
 Measuring range : DK-value 20..175 (MLC420)
 : DK-value 5..175 (MLC421)
 : DK-value 1..175 (MLC422)

Initialization time : 3 s
 Process temperature : -20..+100 °C, 140 °C < 30 min
 CIP-/SIP-capable

Process pressure : -1..10 bar
 Process material : PEEK, FDA conform
 food-safe acc. to EHEDG

Process connection : G ½
 Stud torque : 5..10 Nm
 Mounting direction : arbitrary,
 see mounting notes

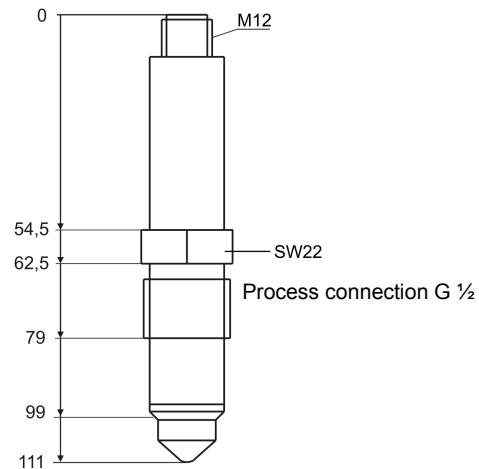
Output

Switching output : transistor PNP / NPN
 max. 30 V / 100 mA
 Response time : programmable from 0.02..10 s
 Isolation : sensor, case/supply, outputs

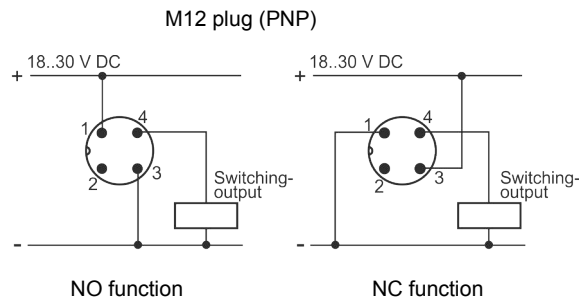
Case

Material : 1.4305
 Protection class : IP67 / IP69K

Dimension



Connection diagram



Cable colors:
 1 = brown, 2 = white, 3 = blue, 4 = black

Ordering code

1. 2. 3. 4. 5.
 MLC42 - - - -

1. Measuring range	
0	DK-value 20..175
1	DK-value 5..175
2	DK-value 1..175
2. Switching output	
0	PNP (standard)
1	NPN
3. Electrical connection	
0	M12-plug
4. Inspection window	
0	without window
5. Options	
00	without option

Accessories:
 ACH connection cable
 APH process connection
 see separate product information **GHMadapt/Accessories**.

EYY120 Programming adapter