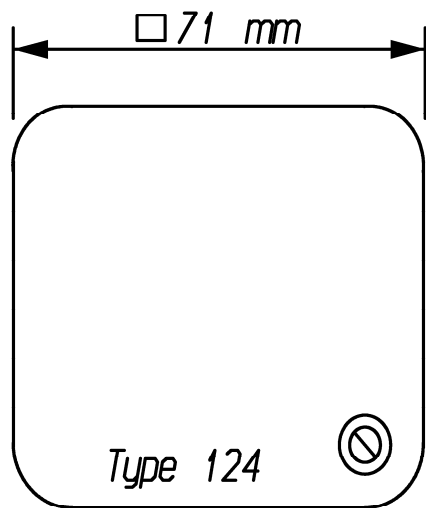
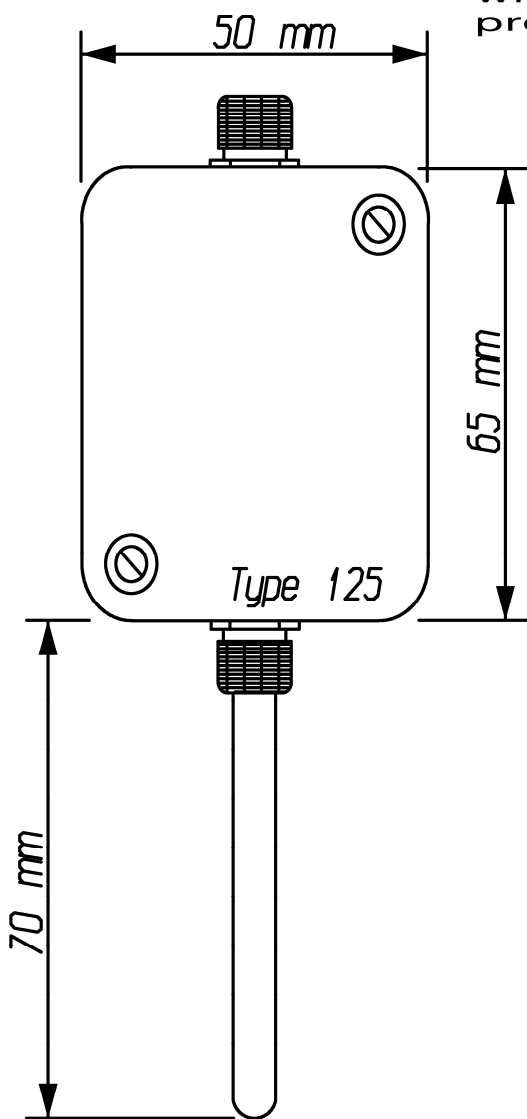


TYPE 124/5

Types P124 and P125 are standard sensors designed and manufactured for wall mounting applications.

These sensors are very popular for HVAC applications.

Two configurations are available: with (type 125) or without (type 124) a protecting tube.



TT1245

Michshur S.Z. (1984) Ltd.
24 Hamezuda St.
P.O.B. 56 Azur 58001
ISRAEL
Phone: 972-3-6508585 Fax: 972-3-6508586